



# 高速縫袋口機系列

## High Speed Bag Closing

### 特性：

- 高速重型縫袋口機
- 適車縫粗麻布, 黃麻, 聚酯纖維, 棉, 塑膠, 紙等材質。

### Features :

- High Speed, Heavy Duty Bag Closing Machines
- for Closing Filled Bags Made from Burlap, Jute, Woven Poly, Cotton, Plastic, and Paper.

## YH-80800C

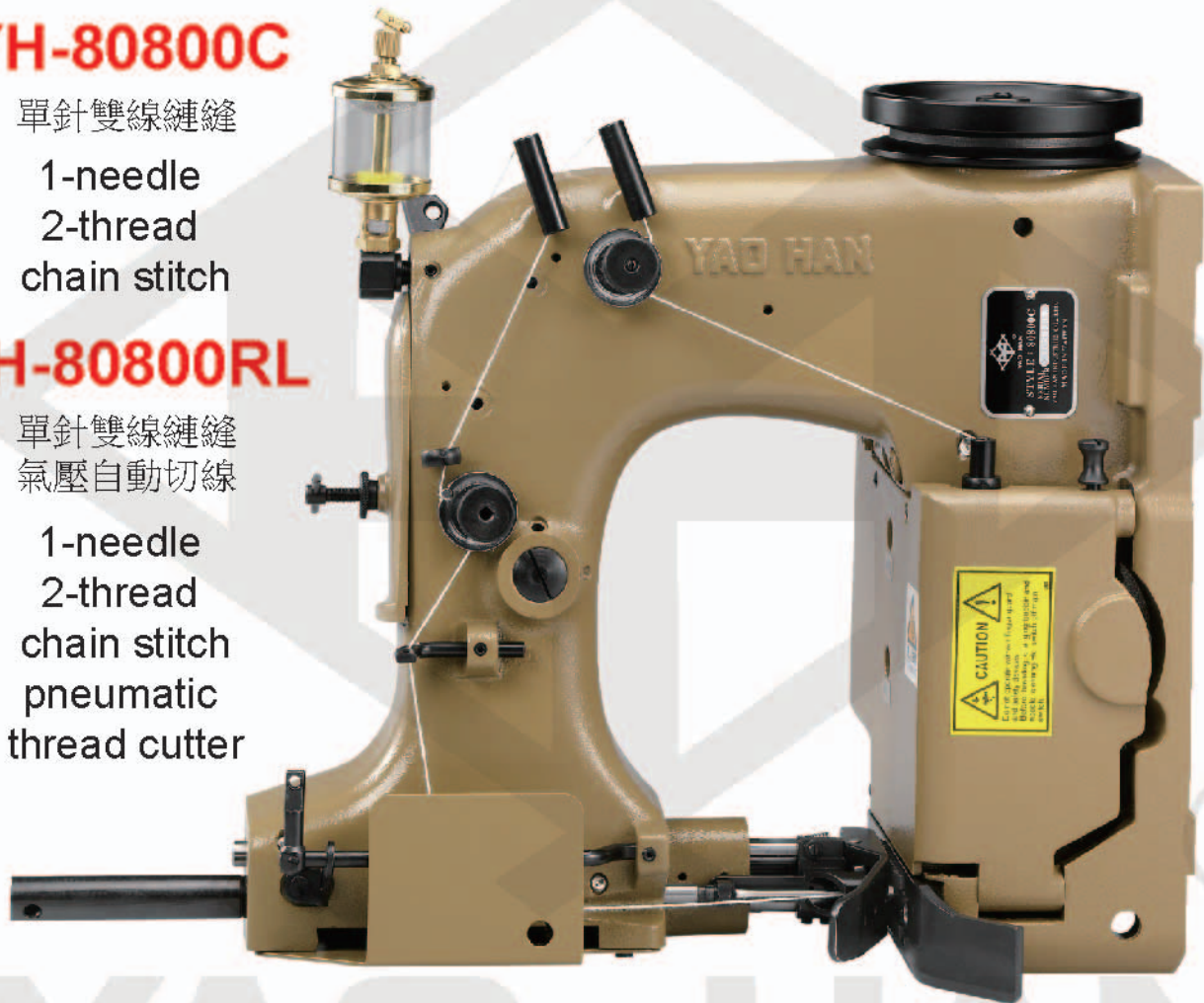
單針雙線鏈縫








1-needle  
2-thread  
chain stitch

## YH-80800RL

單針雙線鏈縫  
氣壓自動切線

1-needle  
2-thread  
chain stitch  
pneumatic  
thread cutter



						
YH-80800C	1 800-0453	2	-	2 1/2-4 SPI (6.5 - 11mm)	11mm	1800 RPM
YH-80800RL	1 800-0453	2	-	2 1/2-4 SPI (6.5 - 11mm)	11mm	1800 RPM